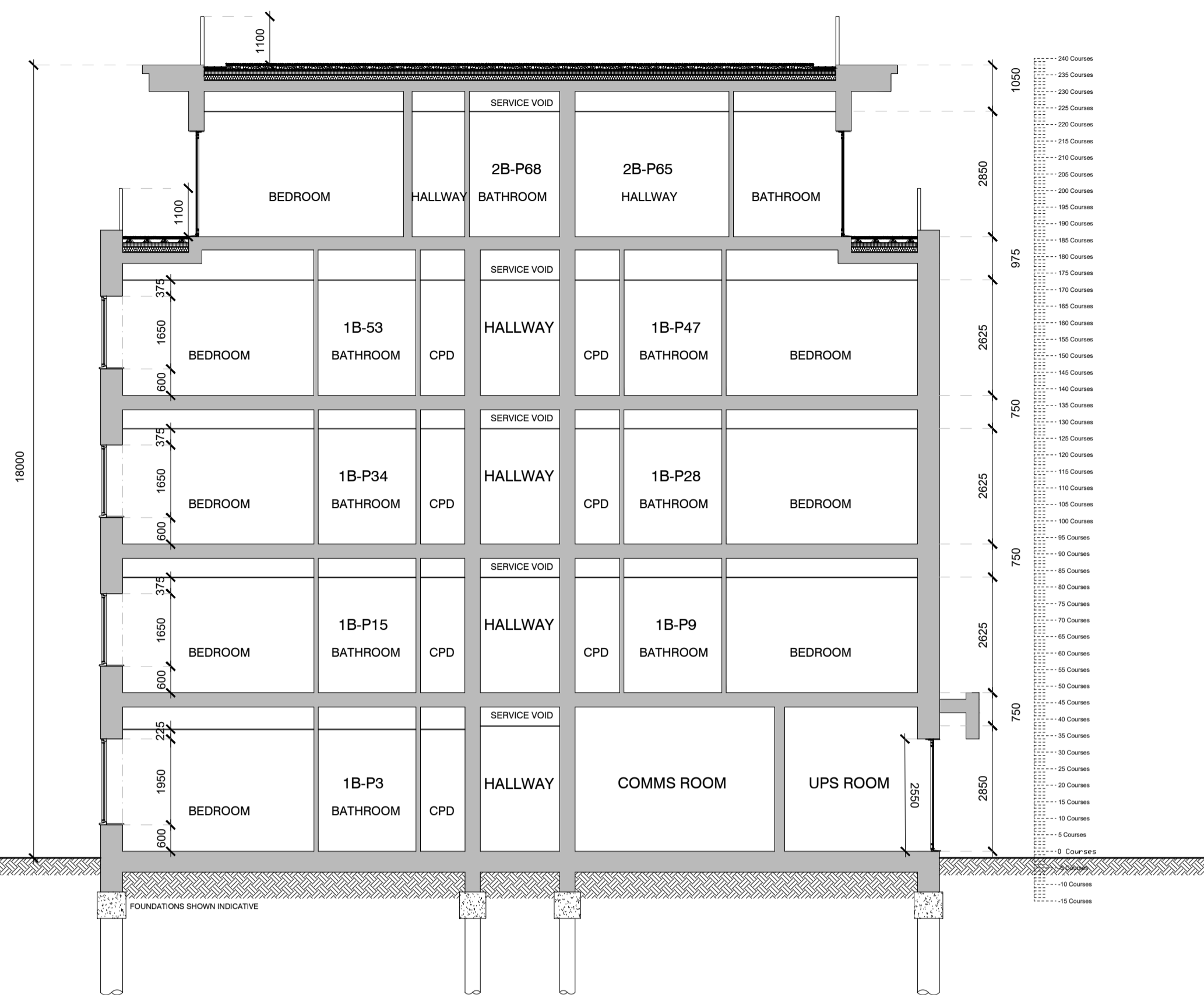
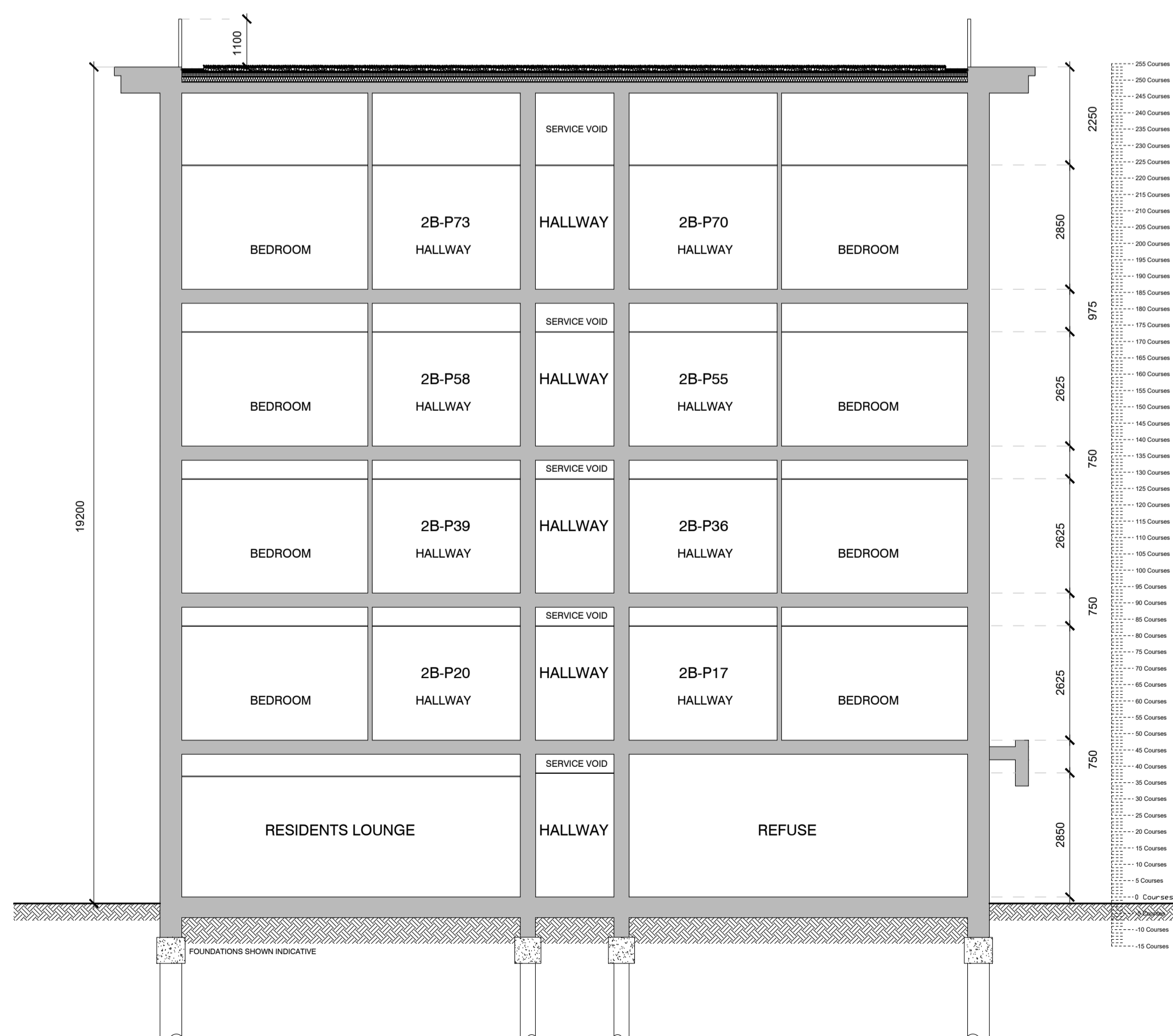
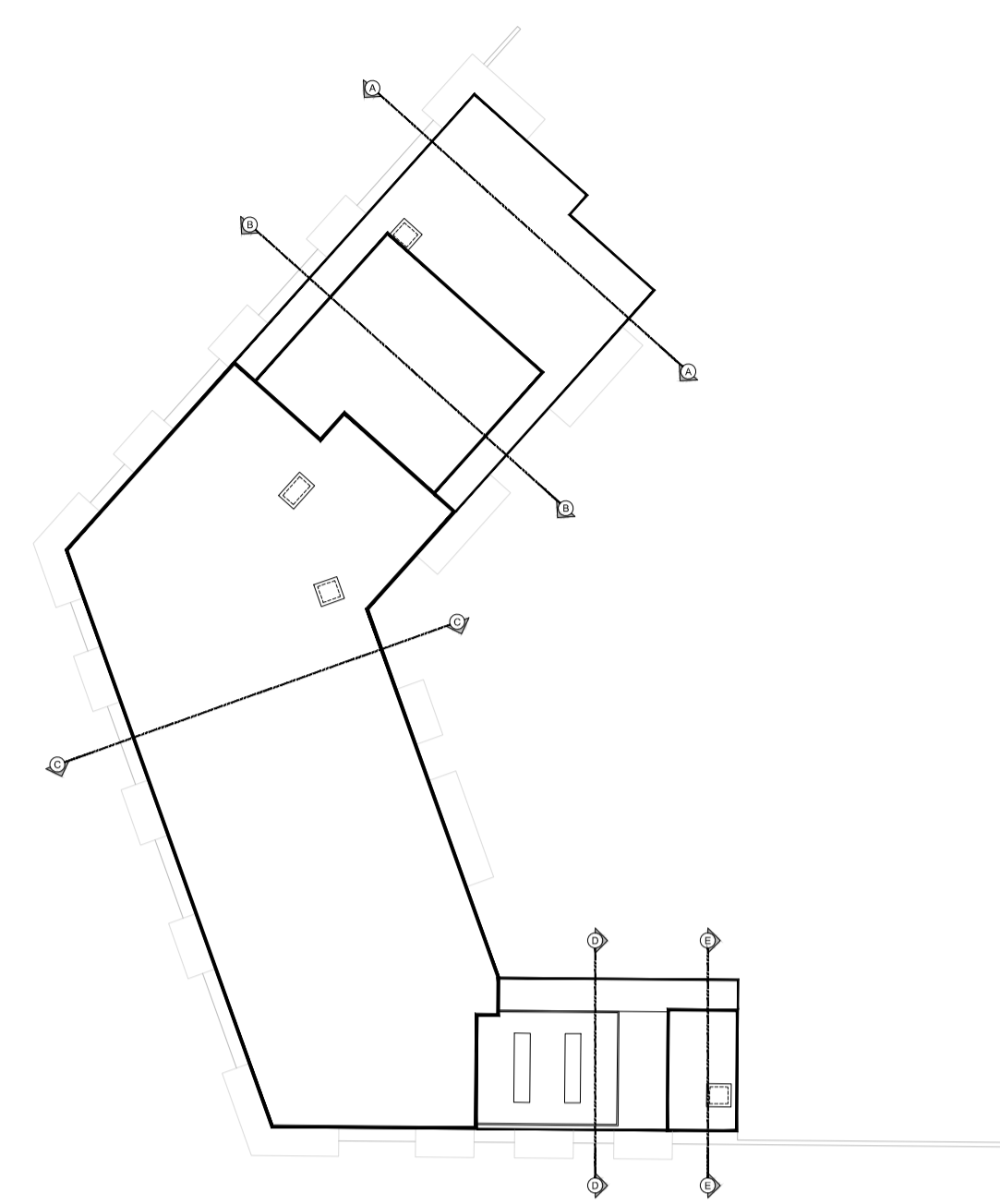


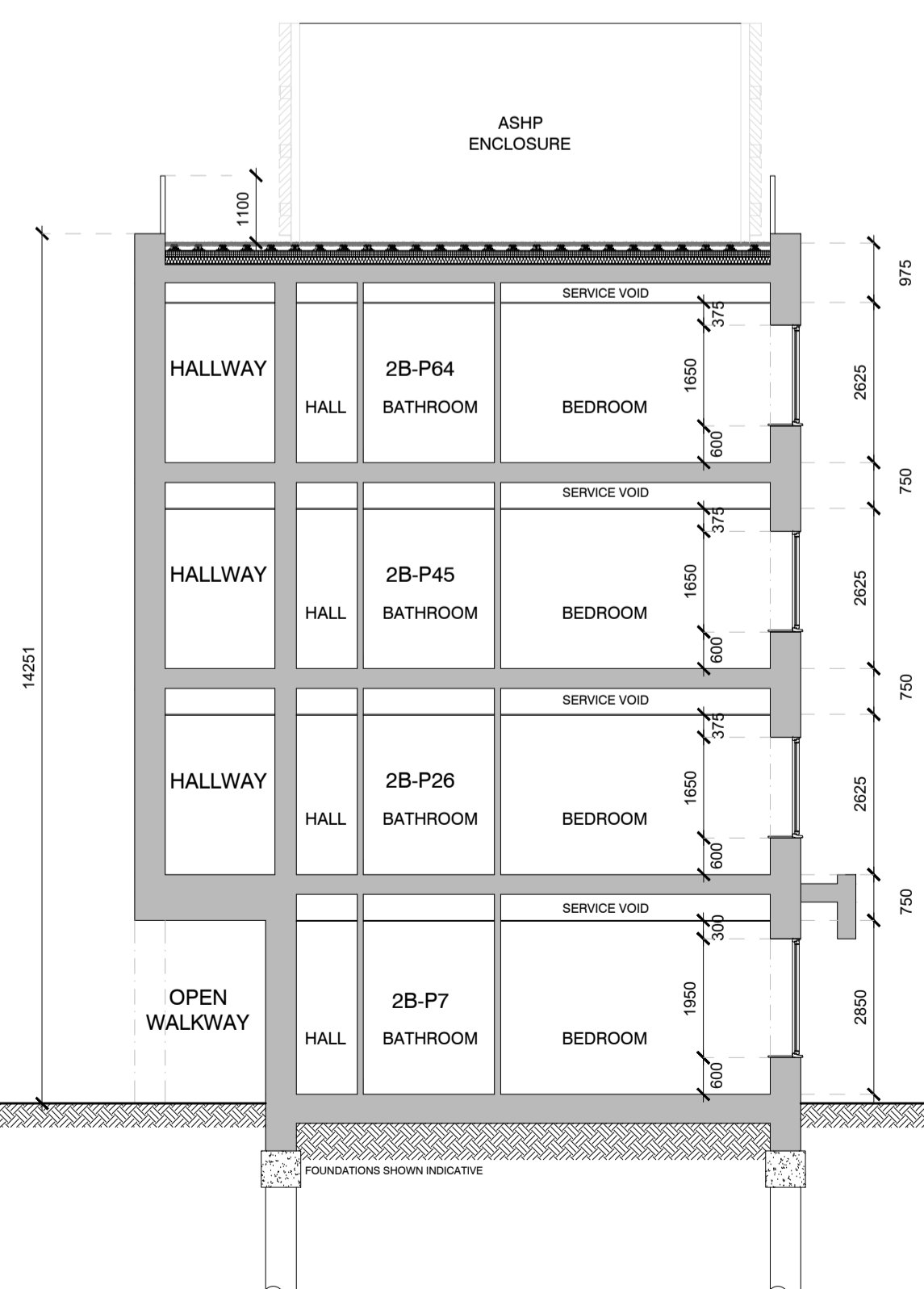
SECTION A-A



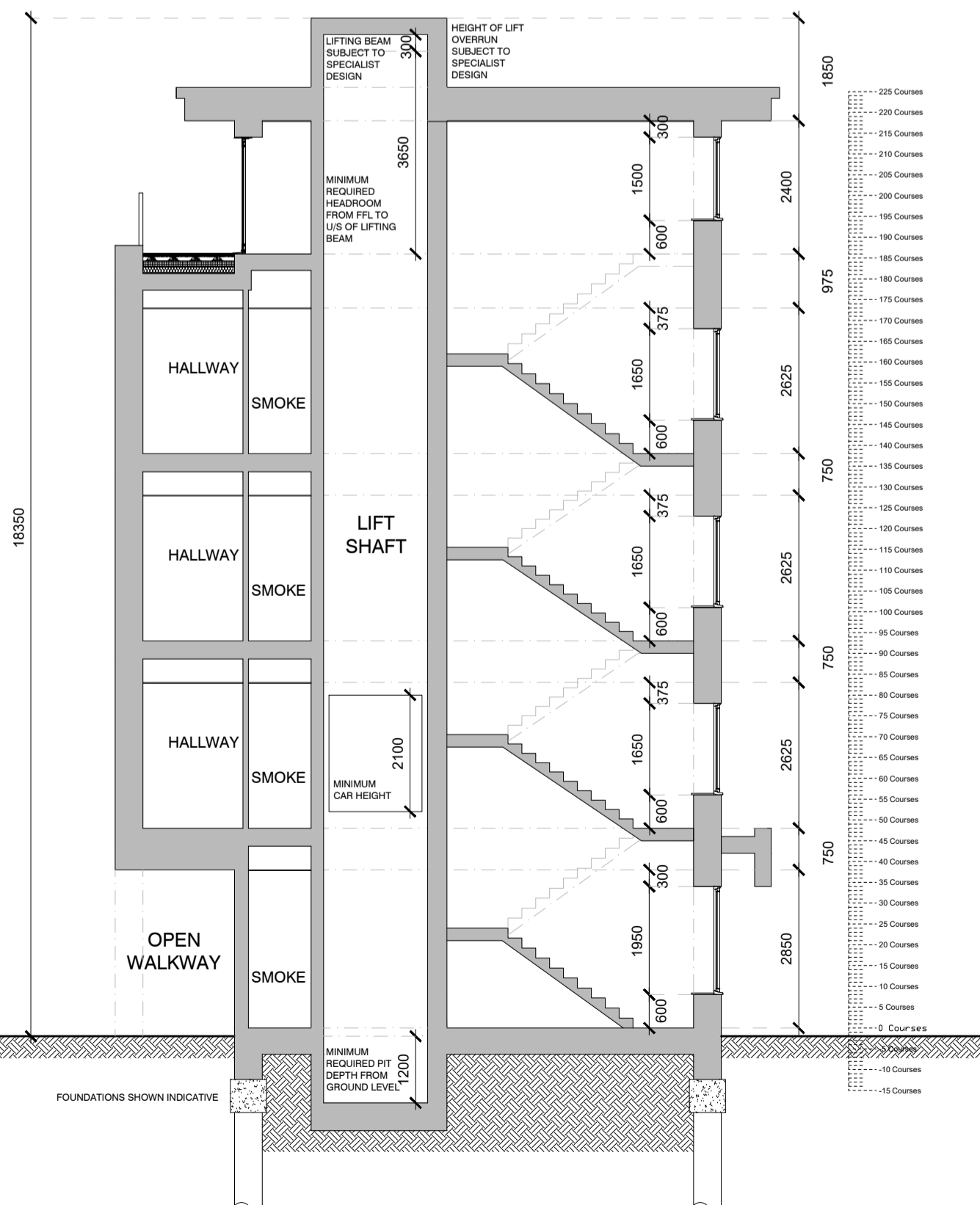
SECTION B-B



SECTION C-C



SECTION D-D



SECTION E-E

Rev.	Date	Detail
C	21.05.24	FURTHER DETAIL ADDED TO SECTIONS
B	22.04.24	PROJECT TEAM W.I.P ISSUE
A	15.04.24	PROJECT TEAM W.I.P ISSUE

Status: **STAGE 3 W.I.P ISSUE**


ASCOT DESIGN
 Timeless architecture
Ascot Design Ltd, Ashurst Manor, Ashurst Park, Ascot, Berkshire, SL5 7DD
 Tel: 01344 299330 Fax: 01344 299331 Email: info@ascotdesign.com
 www.ascotdesign.com

Client: **Orion Land and Leisure Ltd**

Project Title: **CARDIFF PENINSULA - PLOT 1**

DRAWING Title: **DRAFT SECTIONS**

Scale:	Rev.:	Date:	Drawn:
1:100 @ A1	C	March '24	CT

DRAWING No: **CPM-ASC-10-XXXX-DR-A-PL-1011**